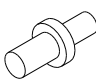
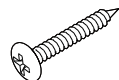
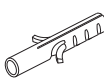
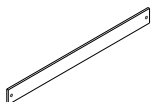


PI WALL SHELF - OAK - 2 SHELVES

ASSEMBLY INSTRUCTIONS FOR WALL SHELF INSTALLATION

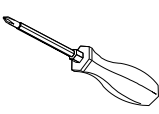
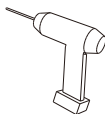

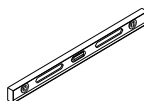


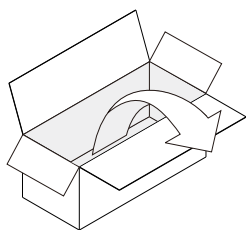
HARDWARE ENCLOSED

 <p>PIN SHELF Ø10x30 (8pcs)</p>	 <p>SCREW DIN7505B M5x40 (10pcs)</p>	 <p>FISHER DUOPOWER 8x40 (10pcs)</p>	 <p>JIG (1pc)</p>
---	--	--	---

TOOLS REQUIRED

(Not included in this package)

 <p>SCREW DRIVER</p>	 <p>DRILL</p>
 <p>PENCIL</p>	 <p>LEVEL</p>

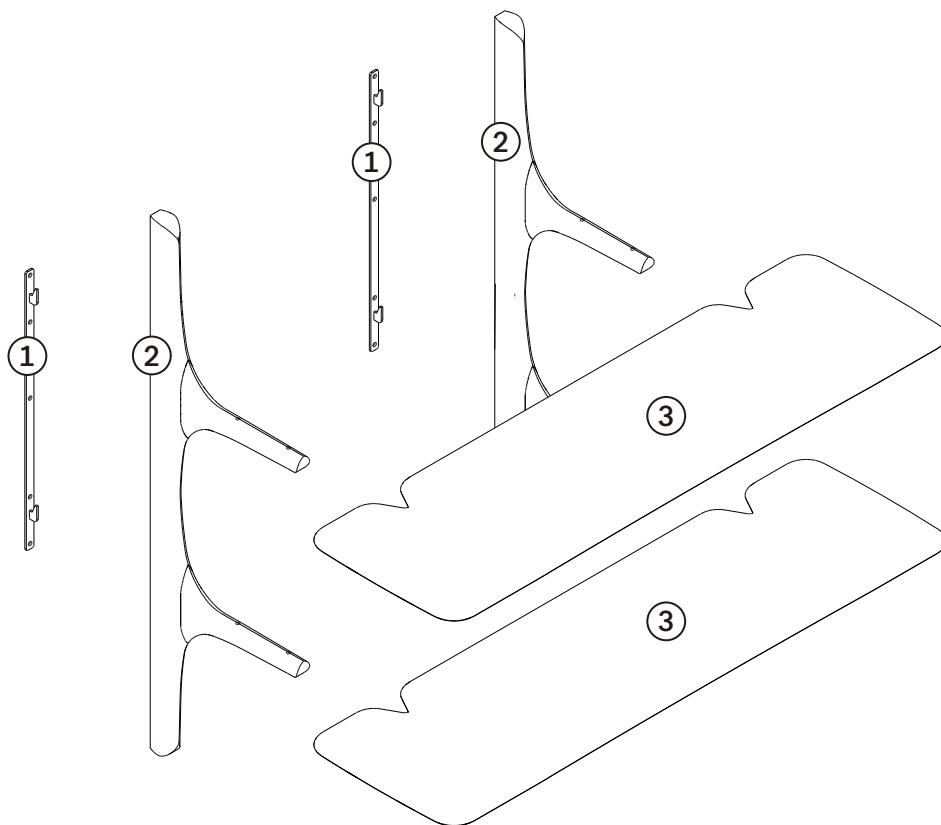


IN YOUR PACKAGE :


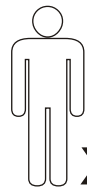

ASSEMBLY INSTRUCTIONS
HARDWARE (AS LISTED ABOVE)

PARTS TO BE INSTALLED

1. METAL HANGING (2 pcs)
2. SHELF SUPPORTS (2 pcs)
3. SHELVES (2 pcs)



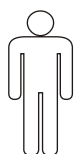
NOTICE

<input checked="" type="checkbox"/> 	 <p>X2</p>	 <p>15kg MAXIMUM LOAD EACH SHELF</p>
---	--	--

SYMBOLS



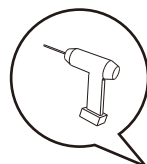
DIRECTION



NUMBER OF
PERSONS NEEDED



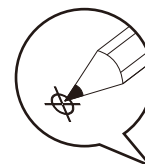
USE HAND



USE DRILL



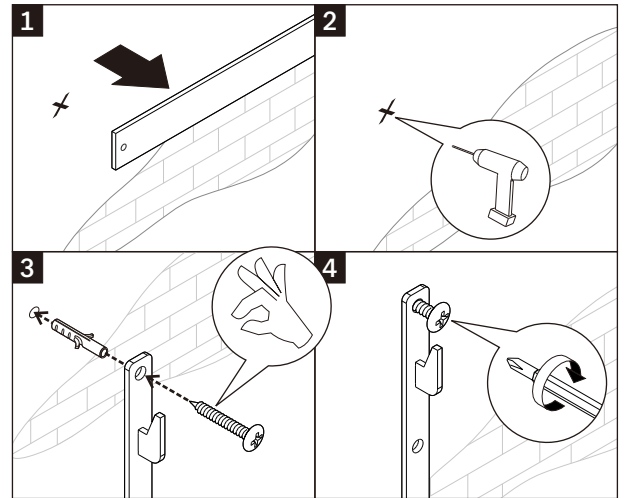
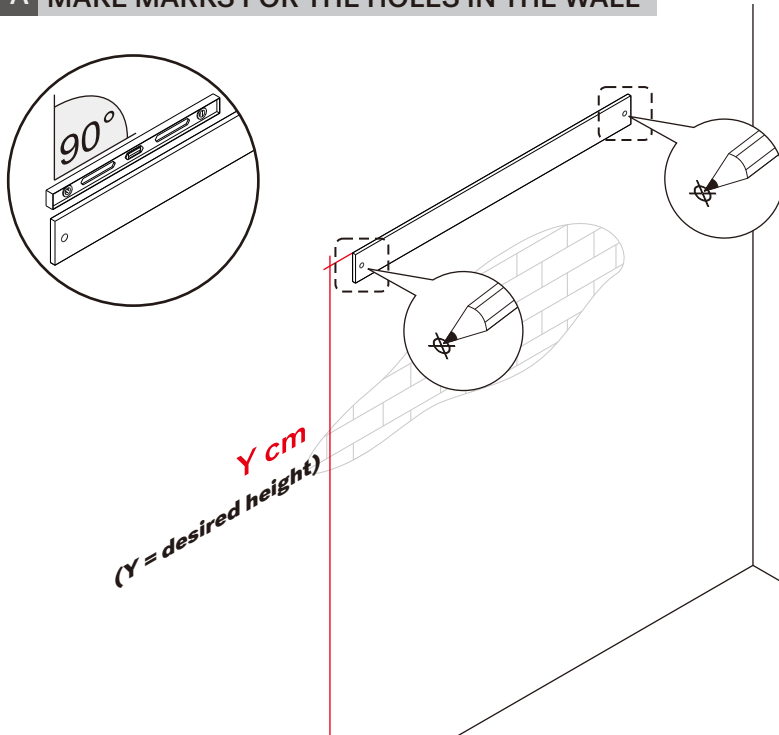
USE SCREWDRIVER
TO TIGHTEN



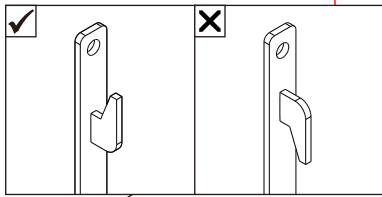
USE PENCIL



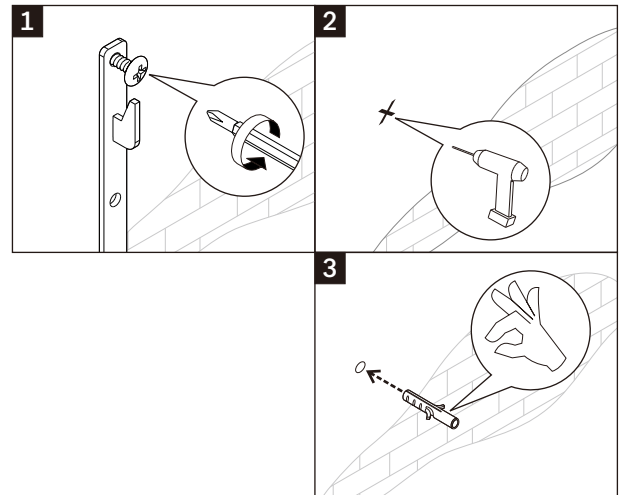
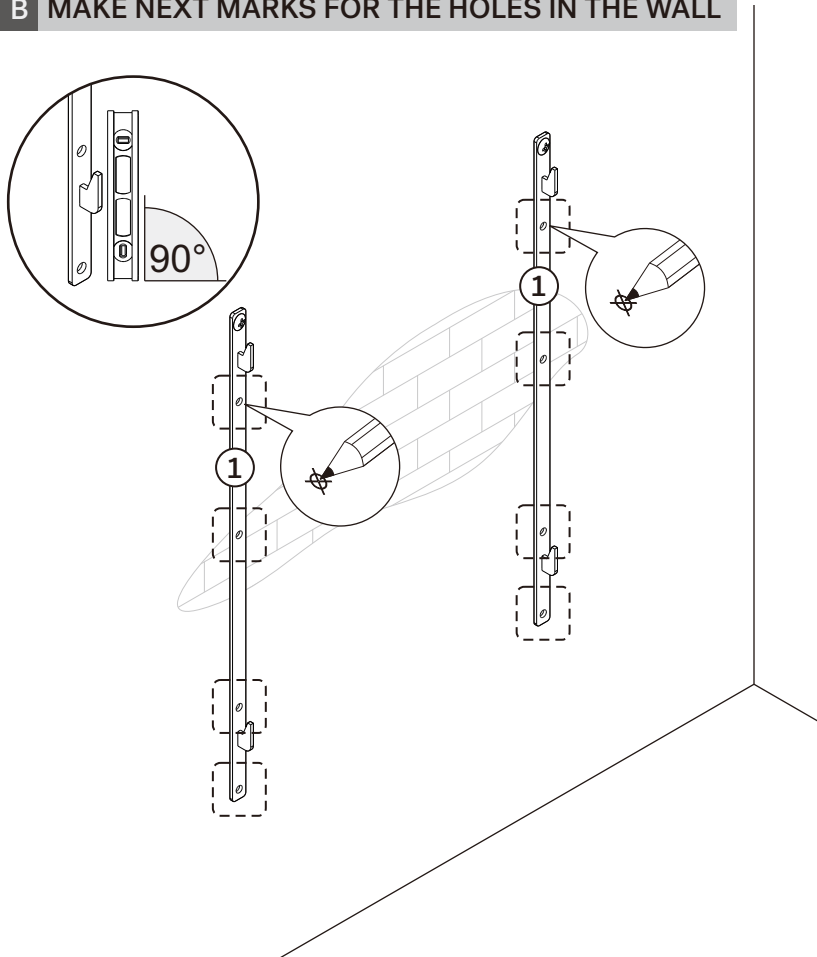
A MAKE MARKS FOR THE HOLES IN THE WALL



- ILLUSTRATION WITH BRICK WALL
- MAKE THE MARKS ON THE ROUND HOLES
- USE LEVEL FOR ALIGNMENT
- USE FISHER DUOPOWER 8x40 (X2)
- USE SCREW M5X40 (X2)
- DO NOT TIGHTEN FULLY



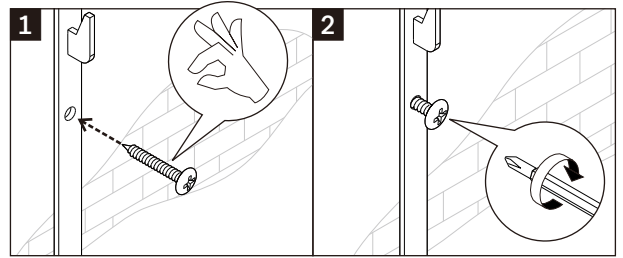
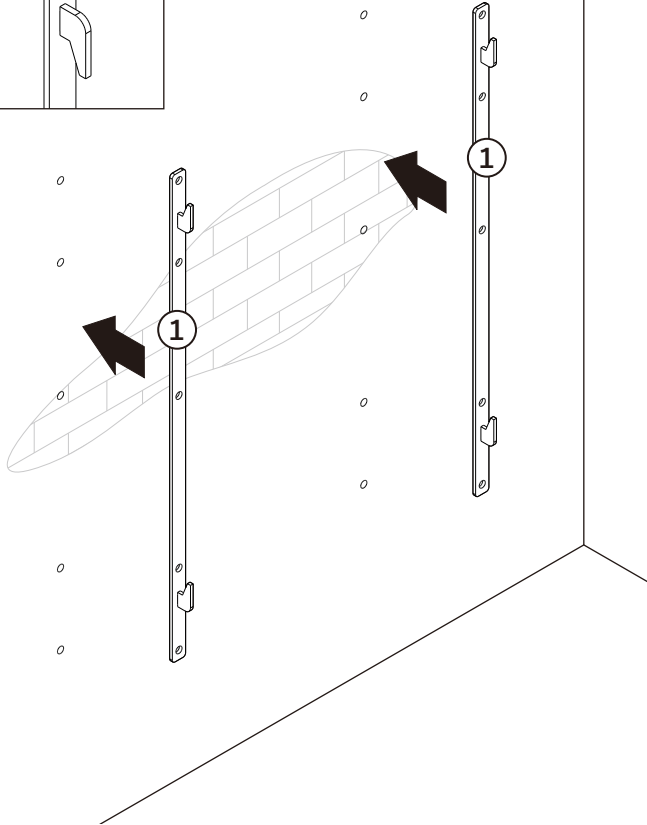
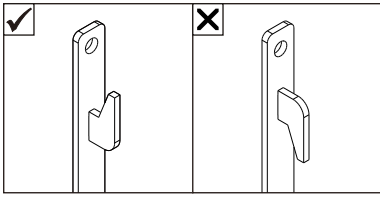
B MAKE NEXT MARKS FOR THE HOLES IN THE WALL



- MAKE THE MARKS ON THE ROUND HOLES
- USE LEVEL FOR ALIGNMENT
- REMOVE THE METAL HANGING AFTER MARKING
- USE FISHER DUOPOWER 8x40 (X8)

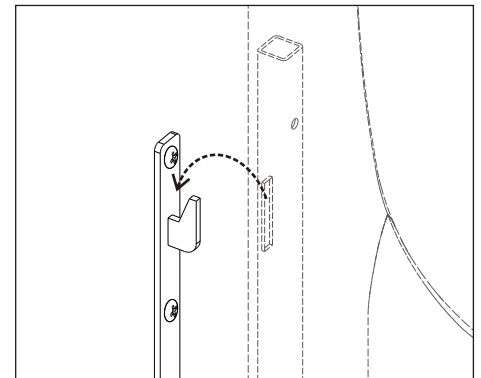
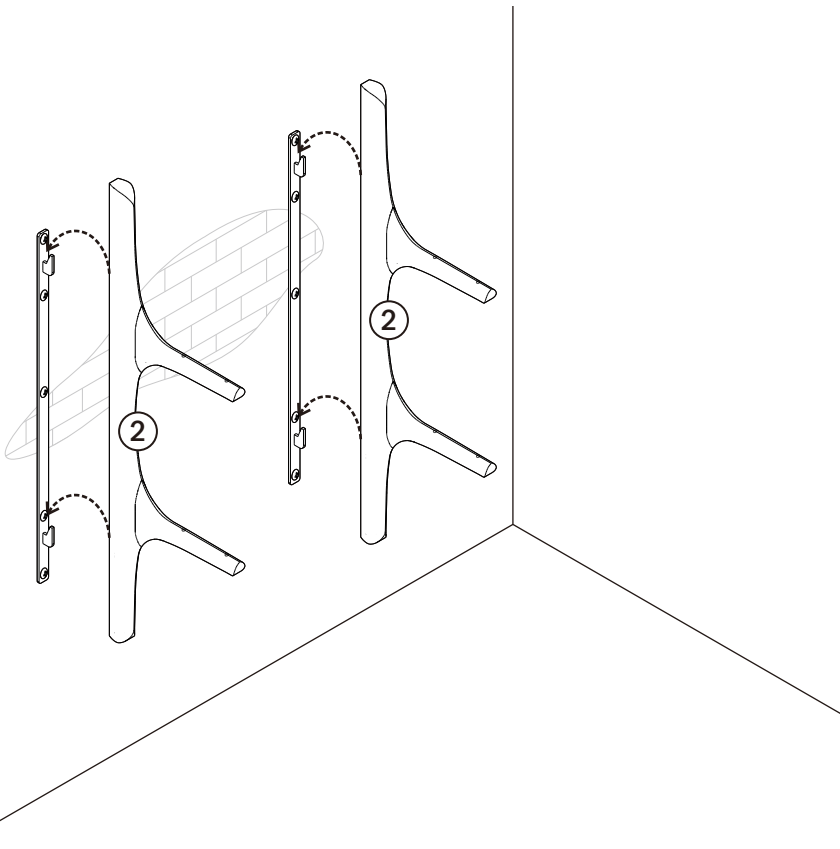


C INSTALLING METAL HANGING



- ! - USE SCREW M5X40 (X10)
- TIGHTEN FULLY ALL SCREWS

D INSTALLING SHELF SUPPORTS

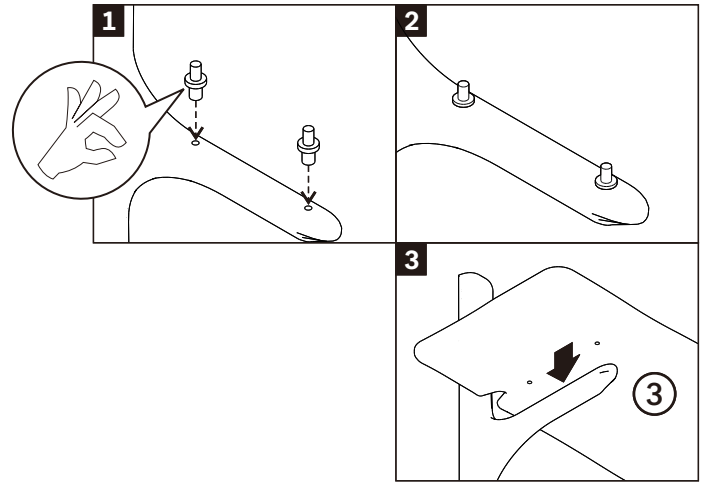
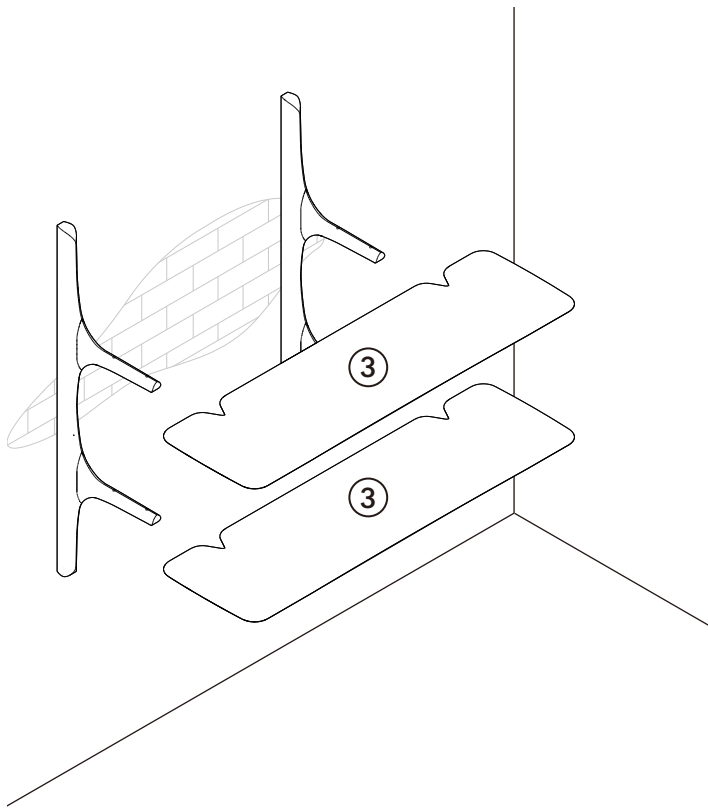


PI WALL SHELF - OAK - 2 SHELVES

ASSEMBLY INSTRUCTIONS FOR WALL SHELF INSTALLATION



E INSTALLING SHELVES



! - USE PIN SHELF Ø10x30 (8X)

F FINISH

